

CDS Update:

Continuous Deflection Separation

New configuration provides optimum design flexibility

Innovation is apparent with the CDS inline manhole configuration. Since its recent introduction, it has become the preferred option of this stormwater treatment unit.

Single or multi-pipe inlet design

The unique inlet design provides more ways to receive stormwater in a single treatment unit. Its forebay arc of 170° allows it to receive a single pipe or multiple inlet pipes anywhere along the semi-circle.

Grate and curb inlet available

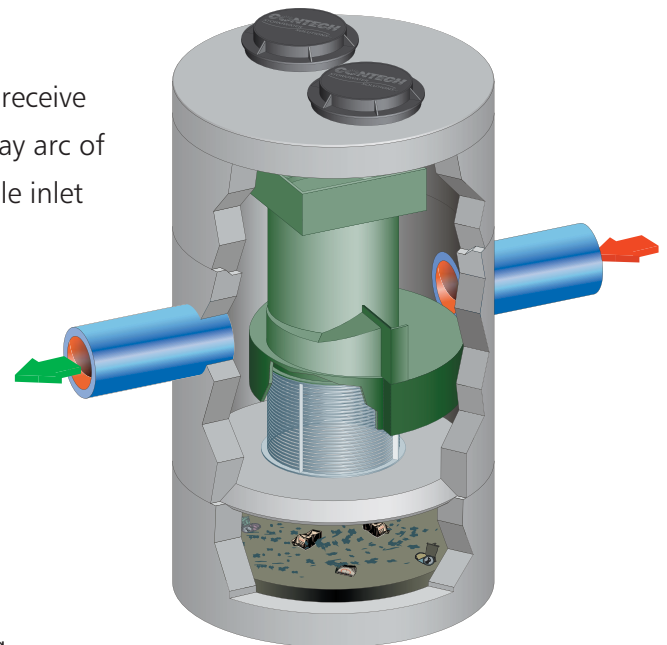
If needed, the system can perform as a catch basin or drop inlet and receive flow from the rest of the drainage collection system — eliminating the need for additional structures.

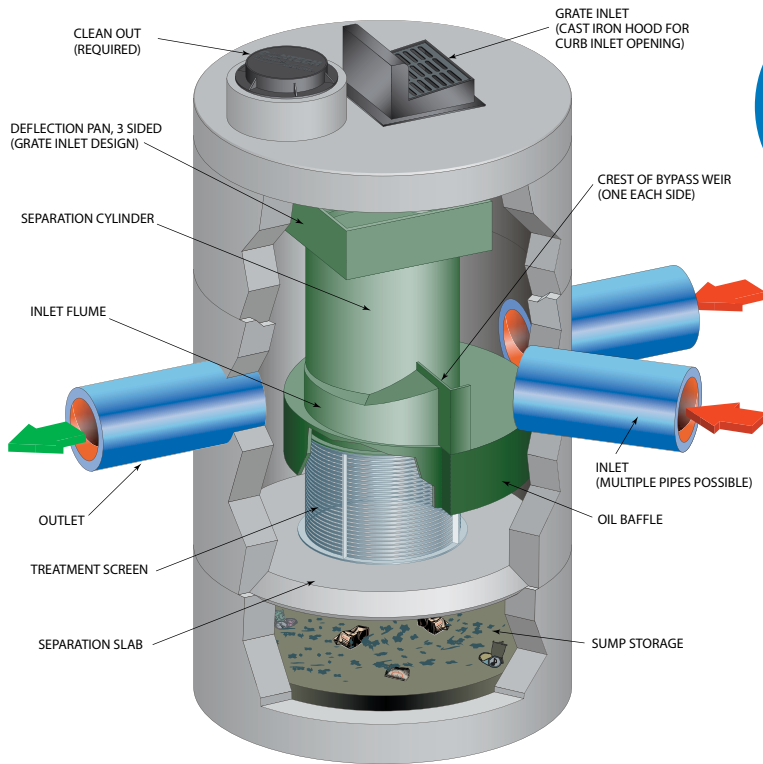
Superior oil control

An oil baffle skirt surrounding the non-blocking screening process is integral to the wide arc inlet design and traps oil and grease. It separates previously captured oil and grease from high bypass flows, preventing scour and possible re-entrainment.

This preferred inlet configuration with integral oil baffle skirt provides the same effective treatment you expect from the CDS system. Solids, whether settleable, floating, or neutrally buoyant, are removed from polluted flows using the patented non-blocking screen and continuous deflection separation technology.

For model and sizing information logon to www.contechstormwater.com

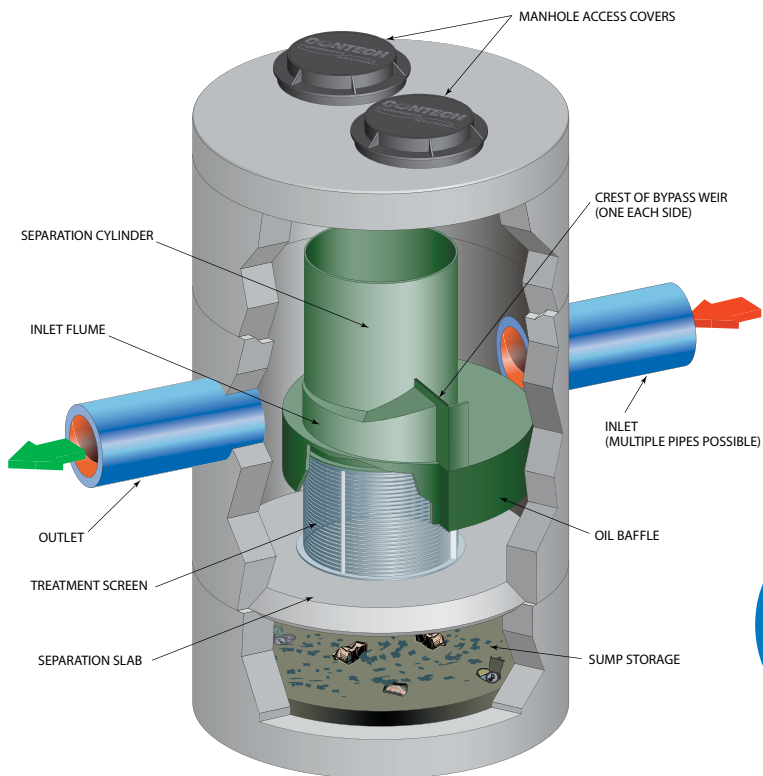




CDS System with Grate or Hooded Curb Inlets and Multiple Pipe Inlets

The CDS M-Series

- Allows for multiple inlet pipes
- Grate and curb inlet configurations available
- Provides proven removal of solids and oil and grease
- Removes neutrally buoyant pollutants using patented non-blocking screen
- Compact design meets site constraints



CDS System with Manholes