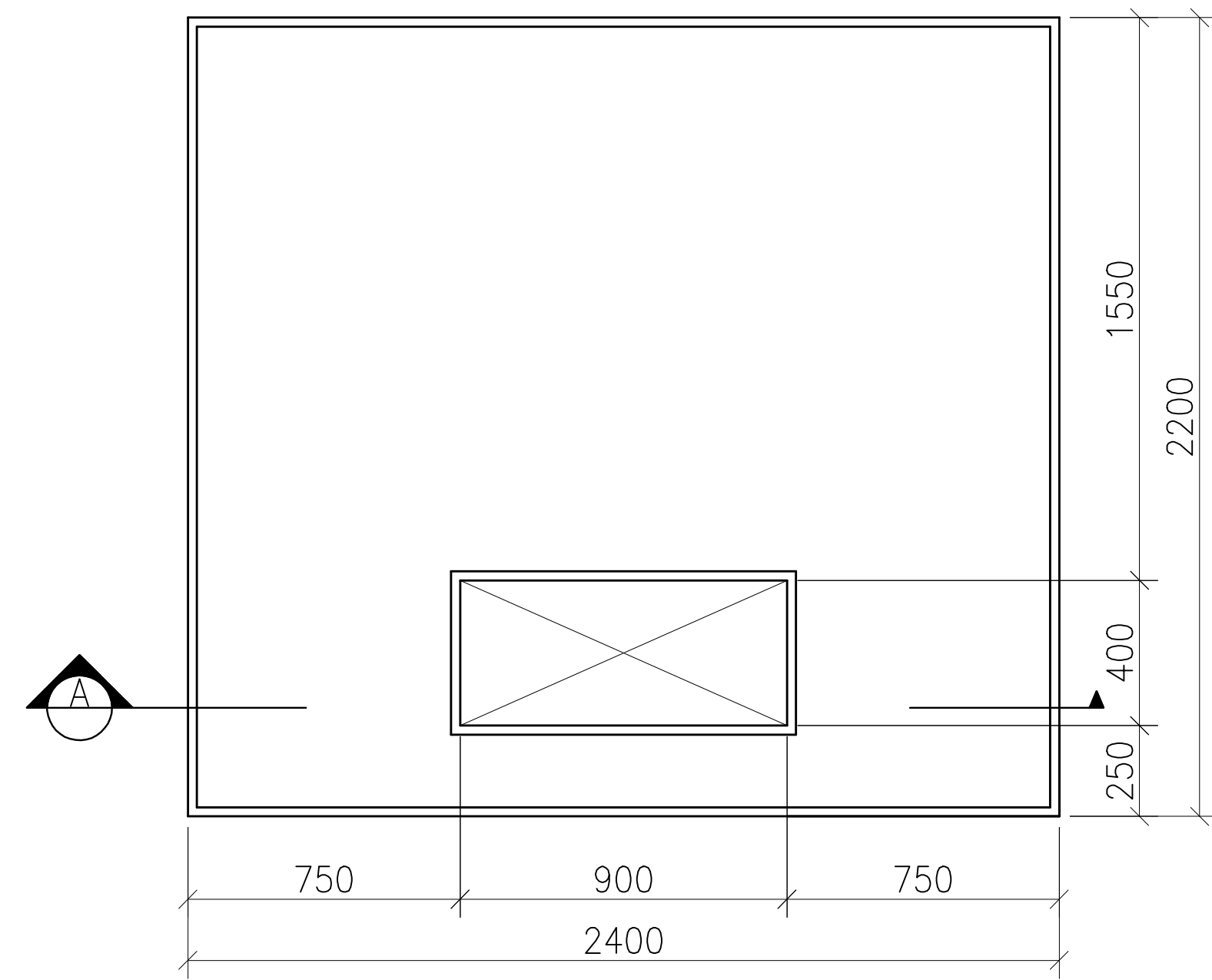
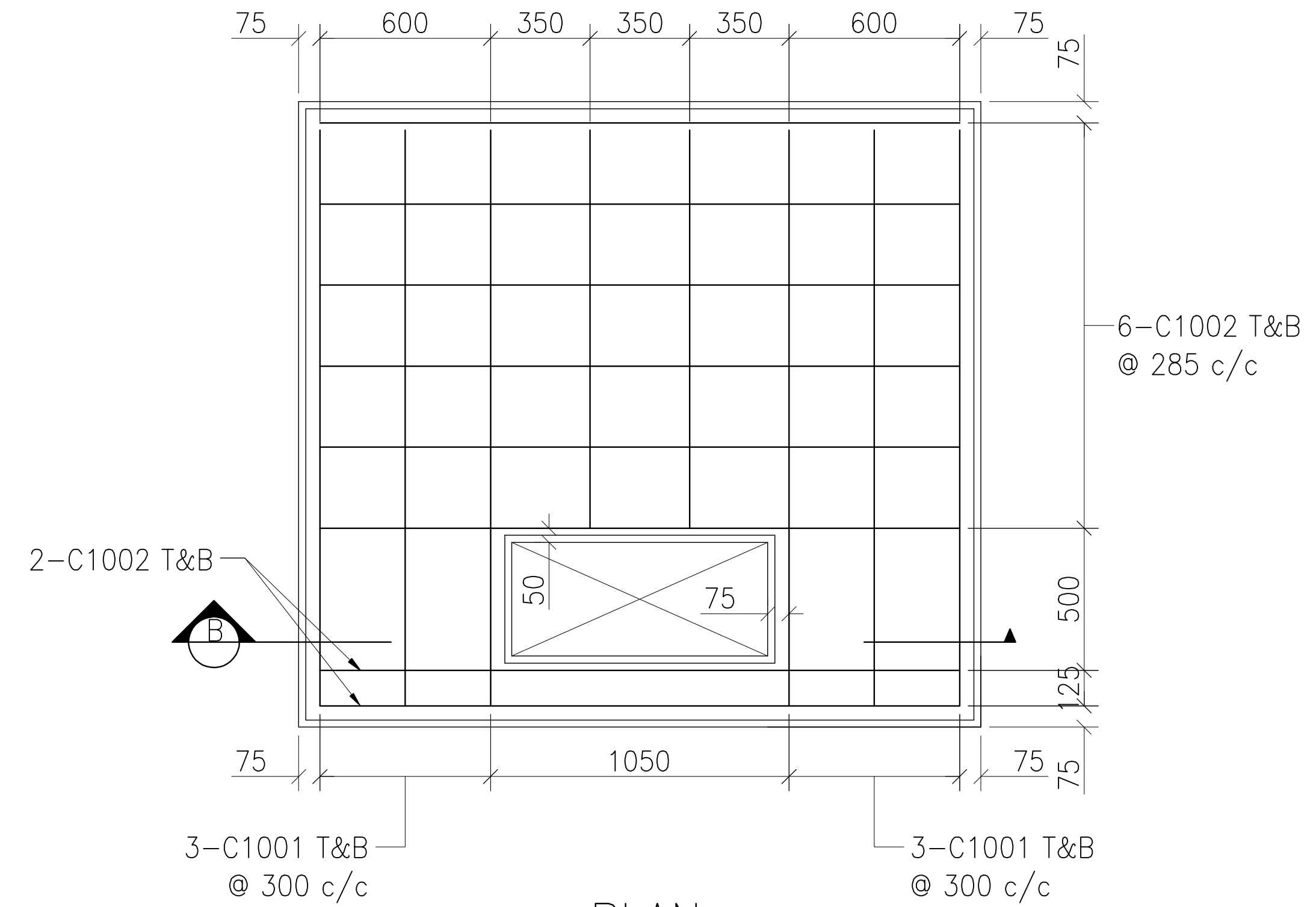


NOTES



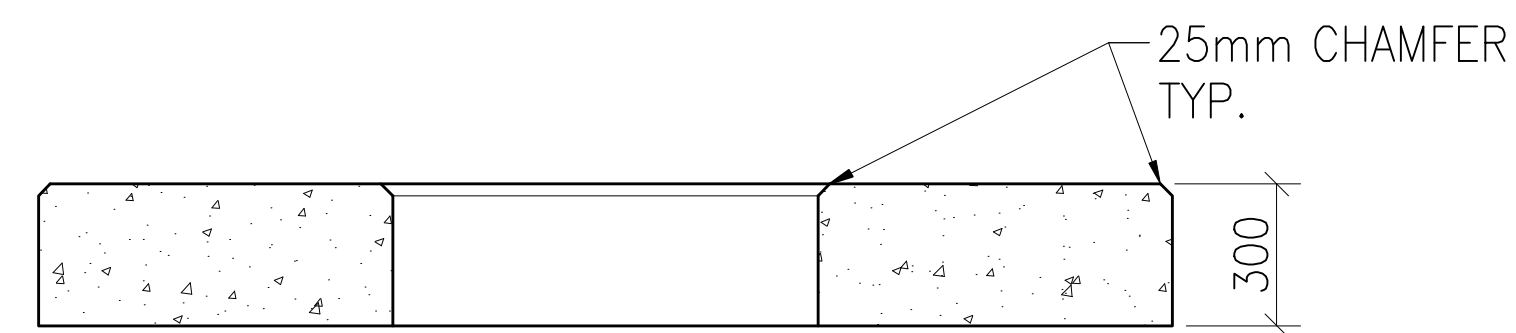
PLAN
GEOMETRY



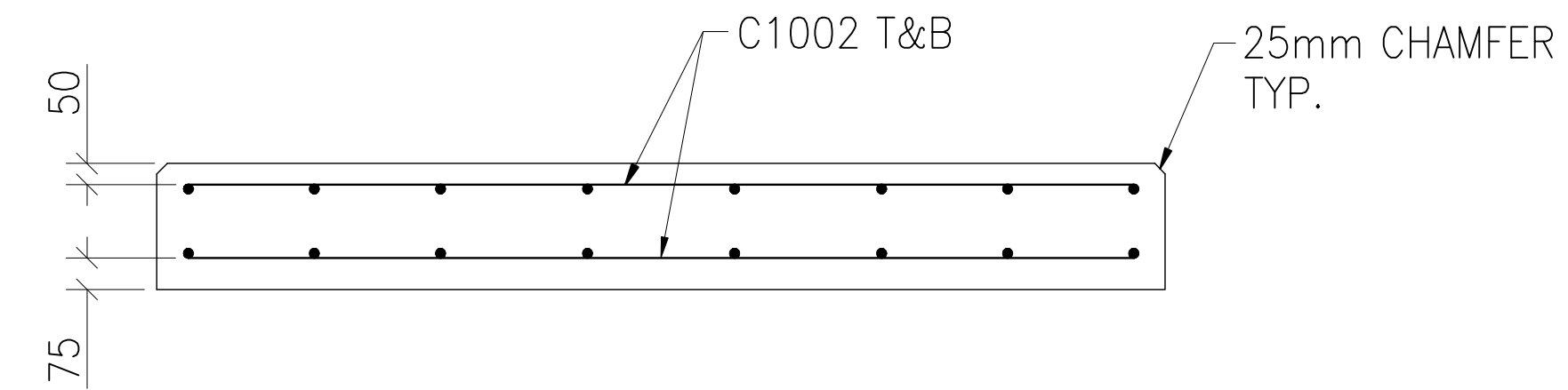
PLAN
REINFORCING

REBAR SCHEDULE

- C1001 - #10M BAR X 2100mm LG - 12 REQUIRED
- C1002 - #10M BAR X 2300mm LG - 16 REQUIRED
- C1003 - #10M BAR X 1450mm LG - 4 REQUIRED

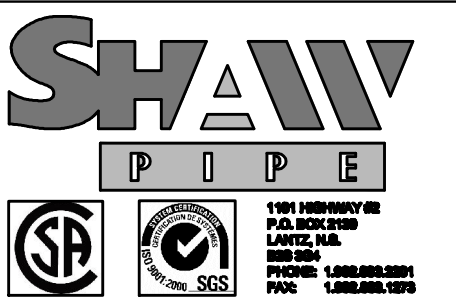


SECTION A
GEOMETRY



SECTION B
REINFORCING

REV. NO.	REVISION	DATE



DRAWING No. 2009NSP0101

PROJECT TITLE: NS POWER STANDARDS

DRAWING TITLE: 2400x2200 THREE-PHASE PADMOUNT TRANSFORMERS 150kv.A - 500kv.A

GENERAL ARRANGEMENT

DATE: 23 MAR. 2009	DESIGNED: STAFF
DRAWN: N. DIMOCK	CHECKED: R. MACDOW