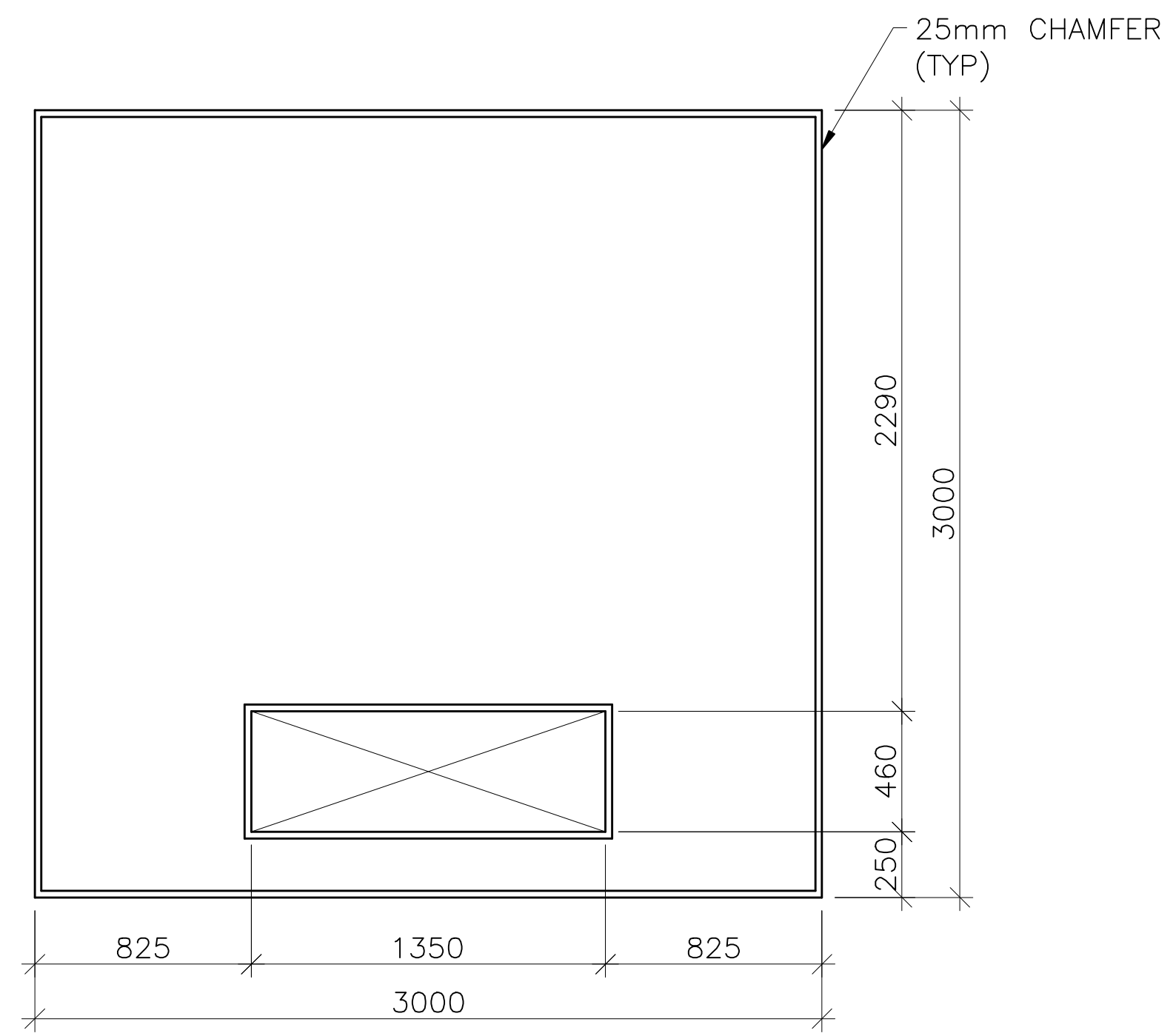
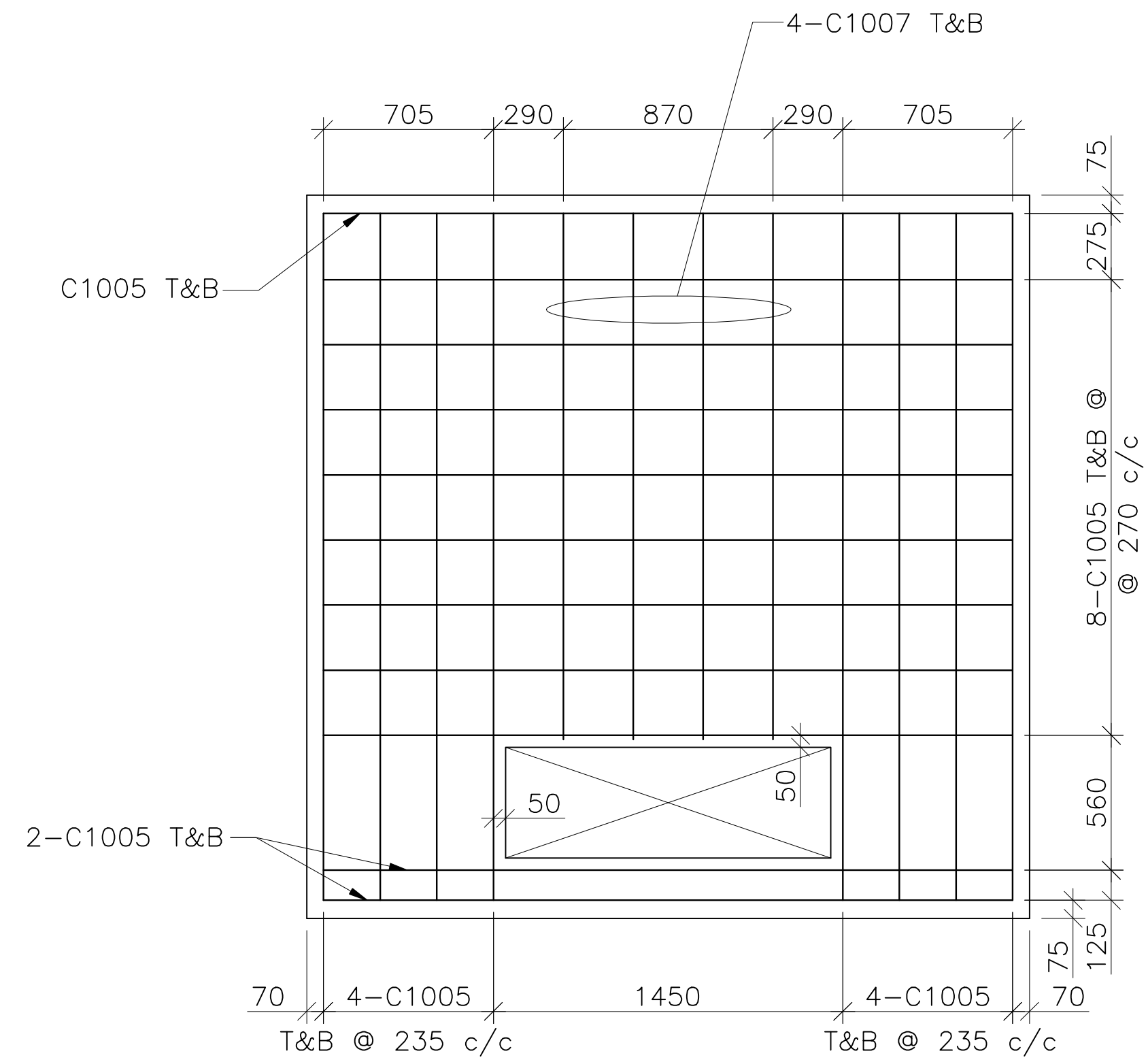


NOTES:



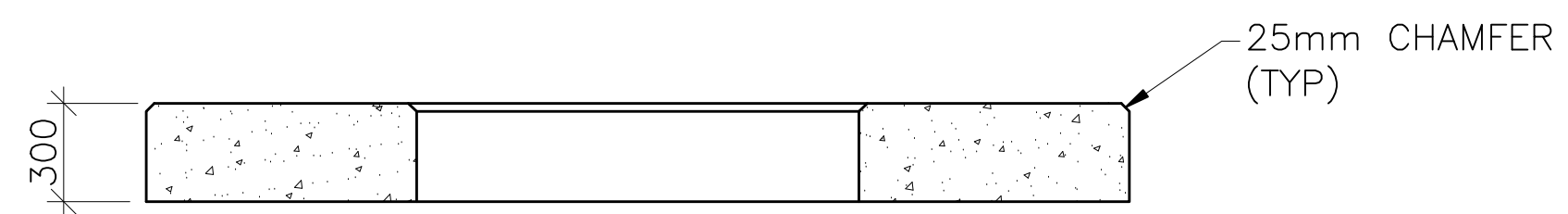
PLAN



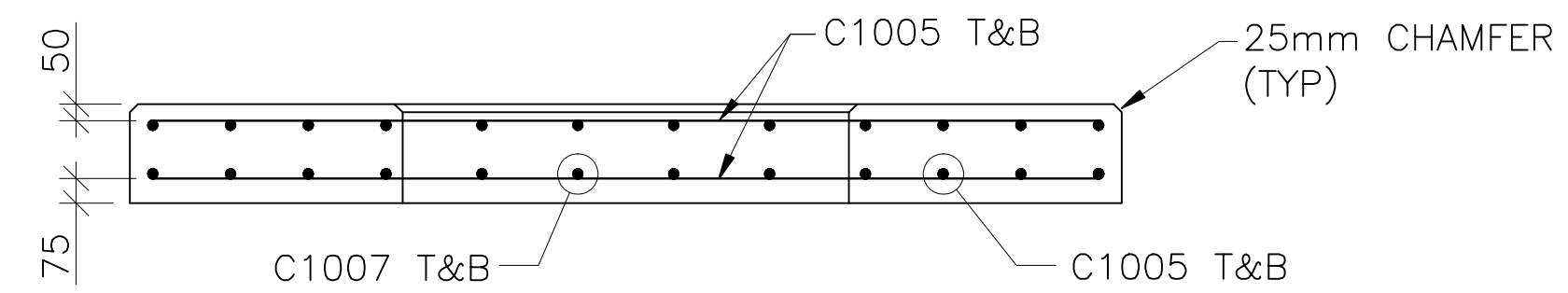
PLAN

REBAR SCHEDULE

C1005-#10M BAR x 2900mm LG - 38 REQUIRED  
 C1007-#10M BAR x 2190mm LG - 8 REQUIRED

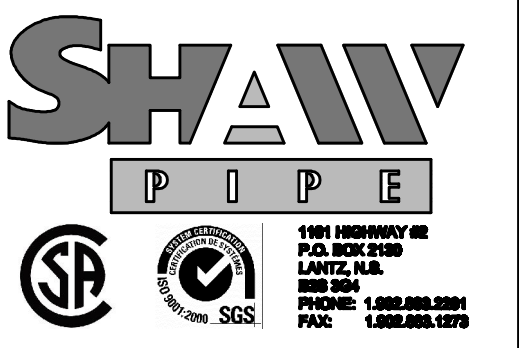


SECTION-A



SECTION-A

REV. NO.	REVISION	DATE



DRAWING NO: 2009NSPI0104

PROJECT TITLE: NS POWER STANDARDS

DRAWING TITLE: 3000x3000 THREE-PHASE PADMOUNT TRANSFORMER 750KV.A-2500KV.A

GENERAL ARRANGEMENT

CONTRACTOR

DATE: 9 APRIL 2009 SCALE: AS NOTED

DRAWN: N. DIMOCK CHECKED: R. MACDOW