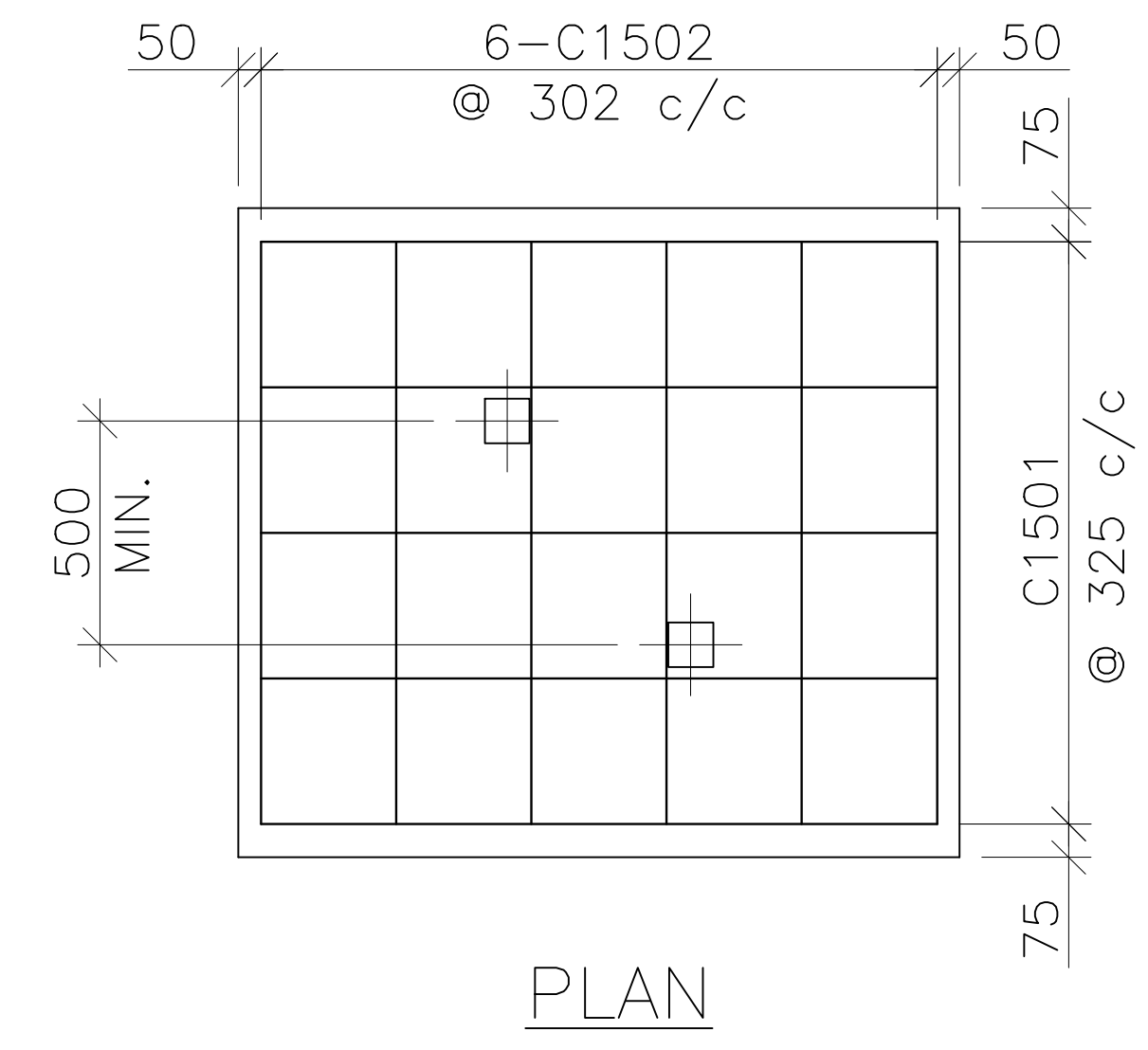
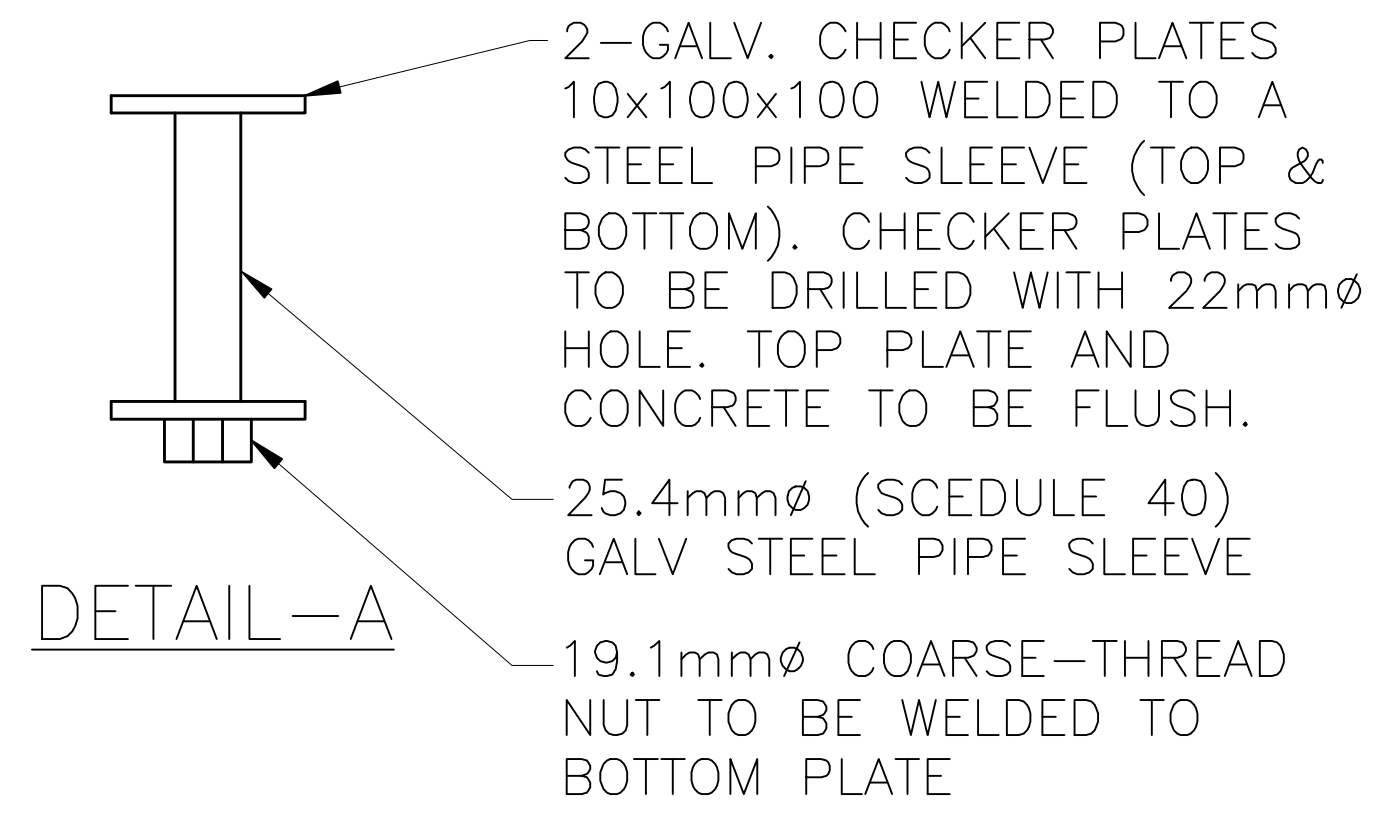
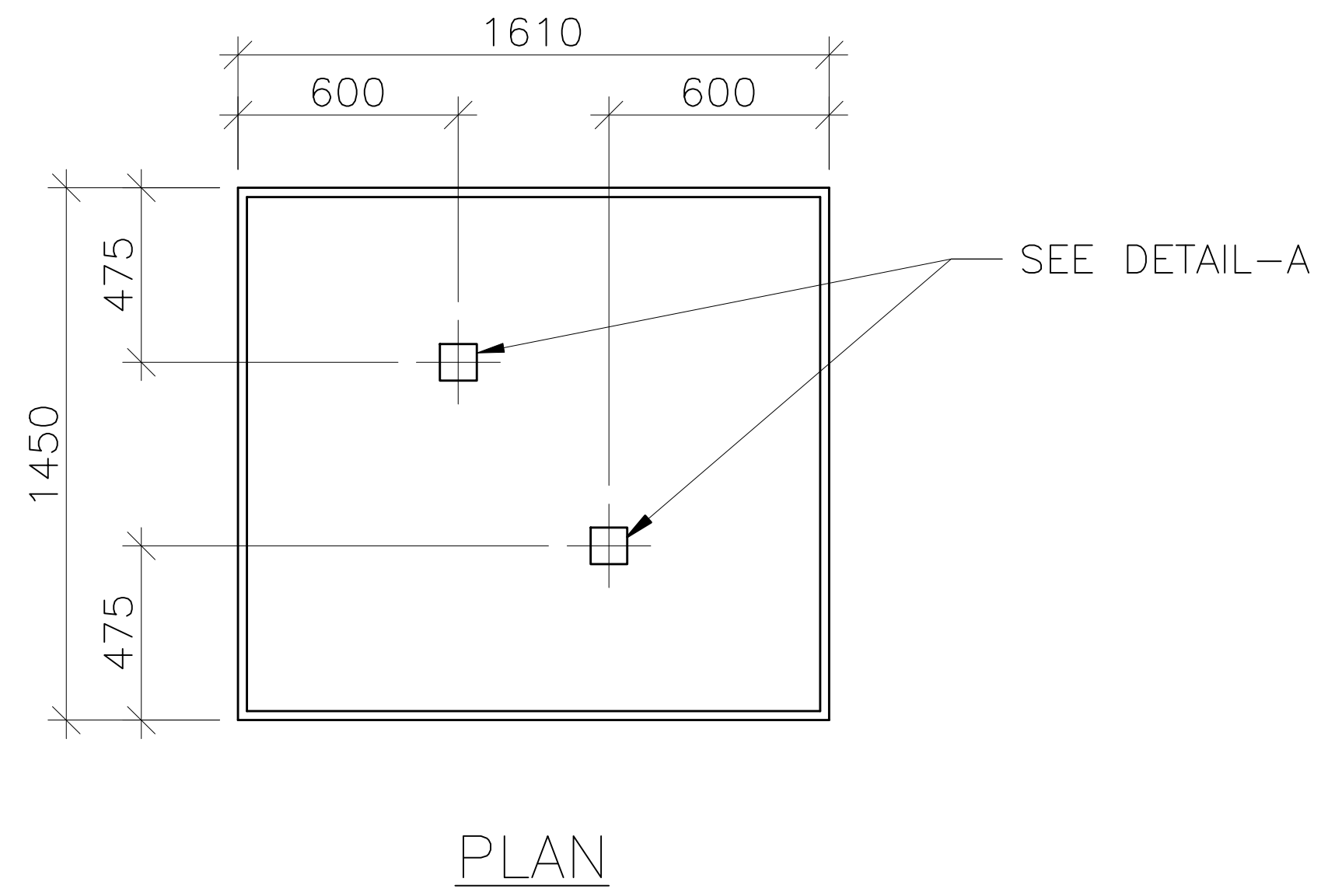
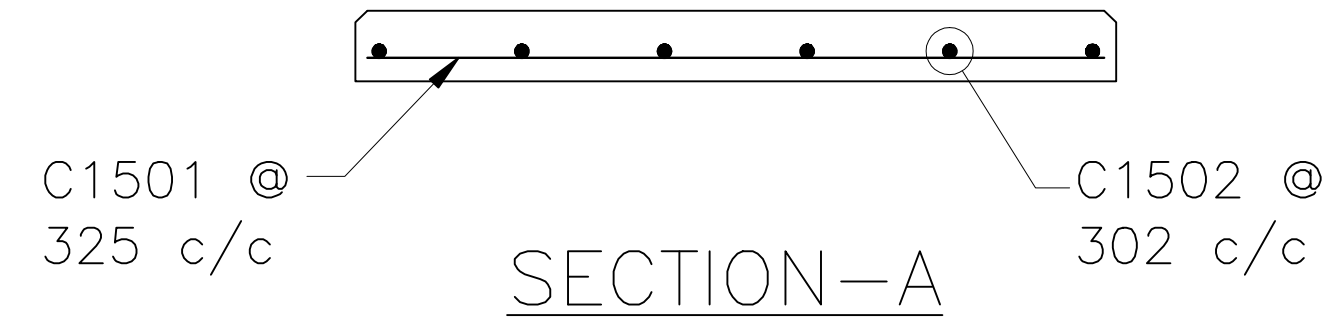
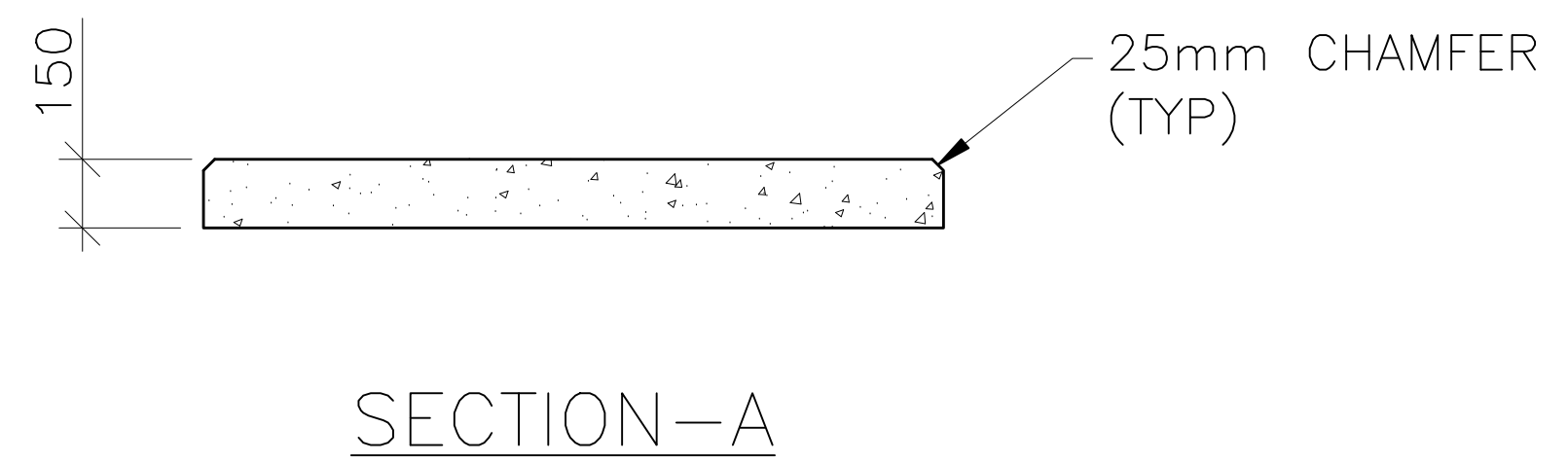


NOTES:

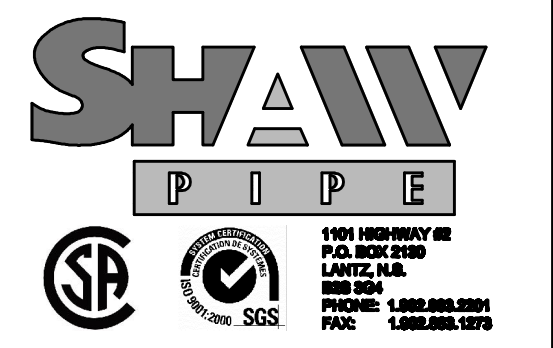


REBAR SCHEDULE

C1501-#15M BAR x 1500mm LG - 5 REQUIRED
C1502-#15M BAR x 1350mm LG - 6 REQUIRED



REV. NO.	REVISION	DATE



DRAWING NO: 2009NSPI0106

PROJECT TITLE: NS POWER STANDARDS

DRAWING TITLE: 1610x1450 TOP OF FIRE RESISTING BARRIER SINGLE-PHASE PADMOUNT TRANSFORMER 50KV.A-167KV.A GENERAL ARRANGEMENT

CONTRACTOR:
DATE: 9 APRIL 2009 SCALE: AS NOTED
DRAWN: N. DIMOCK CHECKED: R. MACDOW