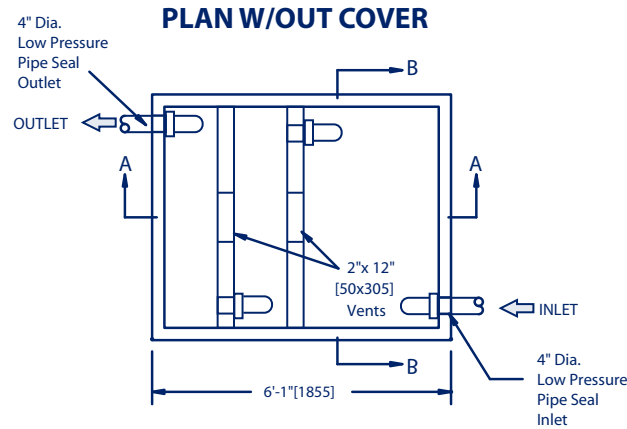
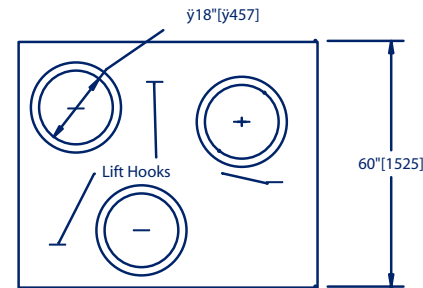


▶ OIL INTERCEPTOR

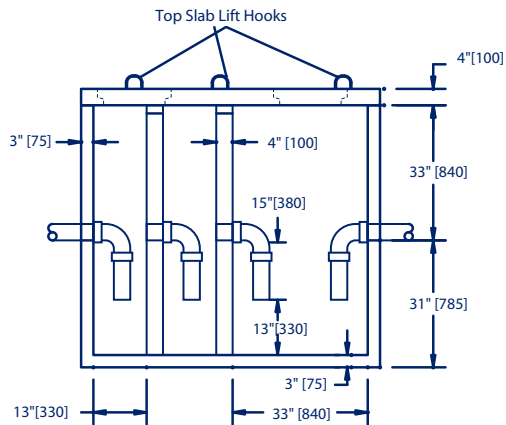
MISCELLANEOUS INFORMATION



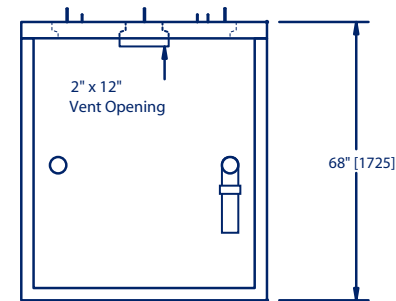
PLAN VIEW - COVER ONLY



SECTION AA



SECTION BB



Specifications:

- Concrete Minimum Strength: 4000 psi [28 MPa] at 28 days
- Air Entraining: 5 - 7%
- Steel Reinforcement: #3 [10m] Rebar
- Construction Joint: Sealed with butyl rope or equivalent
- Design for earth dead load only.
- Maximum bury - 5' [1500]

Notes:

- Pipe & Fittings are 4" PVC/DWV to CSA B182.1 Supplied By GSCP, Installed By Contractor

- ▶ **Description:**
 - Oil Interceptor Cover
 - Oil Interceptor Bottom
 - Oil Interceptor
- ▶ **Item #**
 - Cover: 27510
 - Bottom: 27520
 - Both: 27500
- ▶ **Weight lb/kg**
 - Cover: 1500/ 680
 - Bottom: 7470/3388
 - Both: 8970/4069
- ▶ **Accessories:**
 - Risers
- ▶ **Applications:**
 - Oil Interceptor
 - Grease Trap
 - Sludge/Grit Interceptor
- ▶ **General Availability:**
 - Windsor - Stock
 - Port Hastings - Special Order

- ▶ **Mailing Address**
RR# 3
Windsor NS B0N 2T0
- ▶ **Physical Address**
3901 Route 14
Windsor Forks, Nova Scotia
- ▶ **Phone:** 1-902-798-3188
- ▶ **Toll Free:** 1-800-565-7000
- ▶ **Fax:** 1-902-798-4322
- ▶ **Toll Free:** 1-888-767-7001

OIL INTERCEPTOR

Project:
Location:
Client:
Dwg.No.: 27500

Scale: NTS

Date: JAN/99
Dwn.By: DGM
Chk.By:
Sheet of