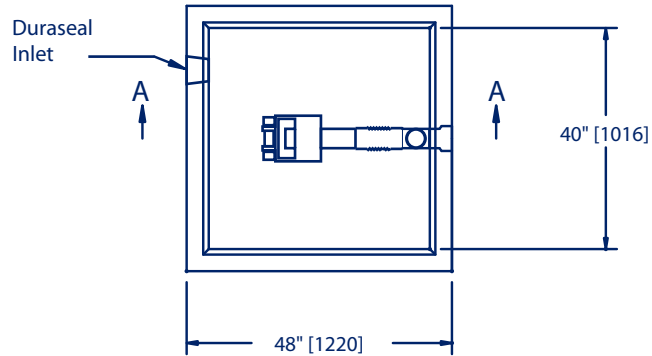


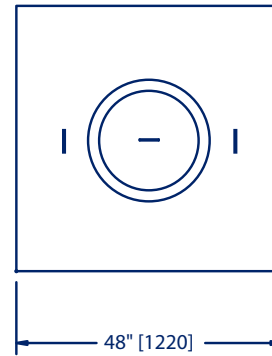
► **FLOUT BOX - 78.7 Gallon [325L]**

MISCELLANEOUS INFORMATION

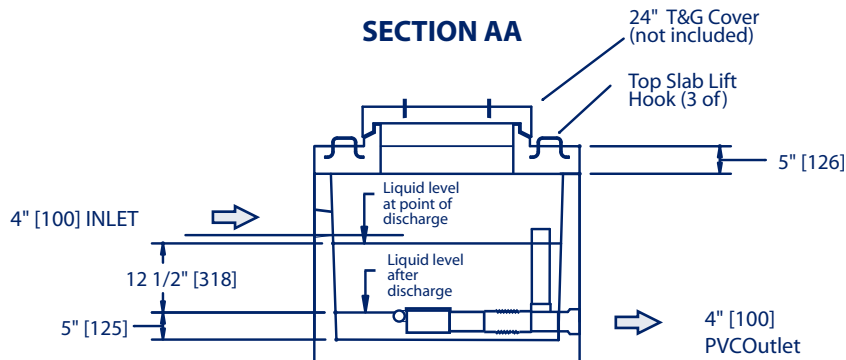
PLAN W/OUT COVER



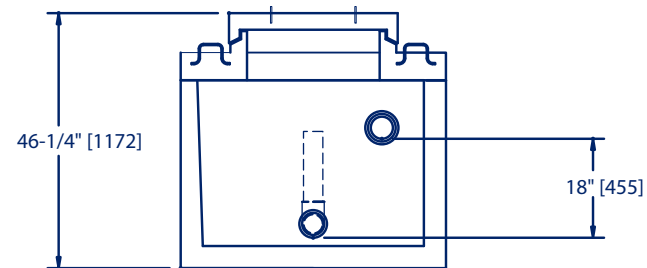
PLAN VIEW - COVER ONLY



SECTION AA



END VIEW



- **Description:**
- Flout Box, 78.7 gal. [325L]
- **Item #**
- Unit: 30300
- **Weight lb/kg**
- Unit: 4000/1814
- **Accessories:**
- Risers
- **Applications:**
- Dosing System
- **General Availability:**
- Windsor - Stock
- Port Hastings - Stock

Specifications:

- Concrete Minimum Strength: 4000 psi [28 MPa] at 28 days
- Air Entraining: 5 - 7%
- Reinforcement: Structural fibers
- Construction Joint: Sealed with butyl rope or equivalent
- Design for earth dead load only.
- Maximum bury - 5' [1500]

Notes:

- Wye and pipe for inlet baffle supplied by GS Concrete.
- Flout unit installed by GS Concrete

- **Mailing Address**
RR# 3
Windsor NS B0N 2T0
- **Physical Address**
3901 Route 14
Windsor Forks, Nova Scotia
- **Phone:** 1-902-798-3188
- **Toll Free:** 1-800-565-7000
- **Fax:** 1-902-798-4322
- **Toll Free:** 1-888-767-7001

FLOUT BOX
78.7 Gallon [325L]

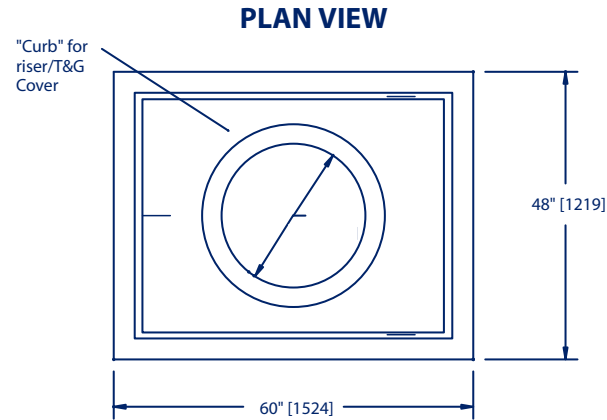
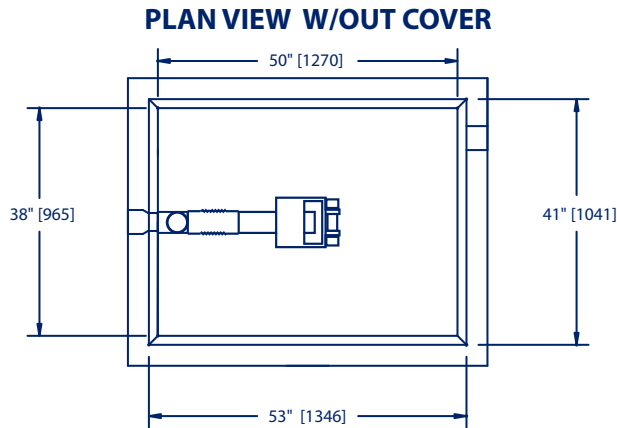
Project:
Location:
Client:
Dwg.No.: 30300

Scale: NTS

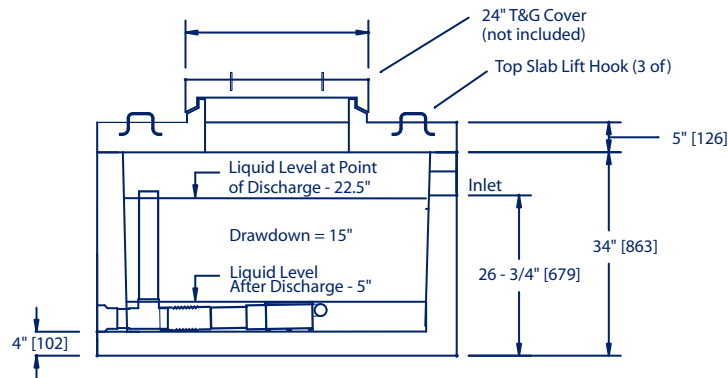
Date: APR/03
Dwn.By: ALF
Chk.By:
Sheet 1 of 1

► **FLOUT BOX - 110 Gallon [500L]**

MISCELLANEOUS INFORMATION



SECTION THRU CENTERLINE



Specifications:

- Concrete Minimum Strength: 4000 psi [28 MPa] at 28 days
- Air Entraining: 5 - 7%
- Reinforcement: Structural fibers
- Construction Joint: Sealed with butyl rope or equivalent
- Design for earth dead load only.
- Maximum bury - 5' [1500]

Notes:

- Dose Volume - 110 Gallons [500 L]
- Flout installed prior to shipping
- "Curb" on top slab cast integrally for watertightness

- **Description:**
- Flout Box 110 Gal - Bot
 - Flout Box 110 Gal - Cov
 - Flout Box 110 Gallon

- **Item #**
- Bottom: 37330
 - Cover: 37340
 - Both: 37350

- **Weight lb/kg**
- Bottom: 4800/2175
 - Cover: 1100/500
 - Both: 5900/2675

- **Accessories:**
- Cleanout Riser
 - 24" T&G Cover
 - Cast Frame & Cover

- **Applications:**
- Effluent Dosing

- **General Availability:**
- Windsor - Stock
 - Port Hastings - Stock

- **Mailing Address**
- RR# 3
Windsor NS B0N 2T0

- **Physical Address**
- 3901 Route 14
Windsor Forks, Nova Scotia

- **Phone:** 1-902-798-3188

- **Toll Free:** 1-800-565-7000

- **Fax:** 1-902-798-4322

- **Toll Free:** 1-888-767-7001

FLOUT BOX
110 Gallon [500L]

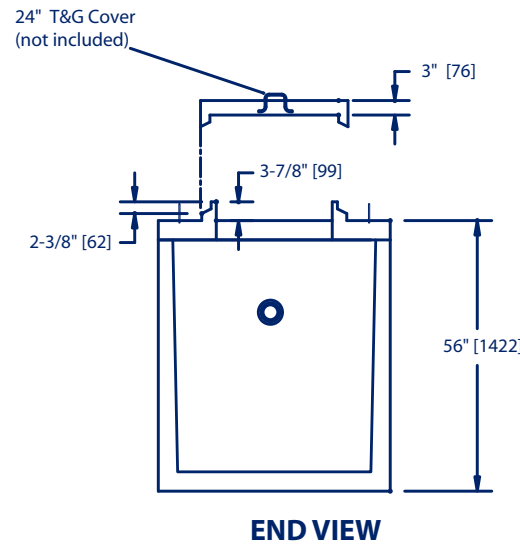
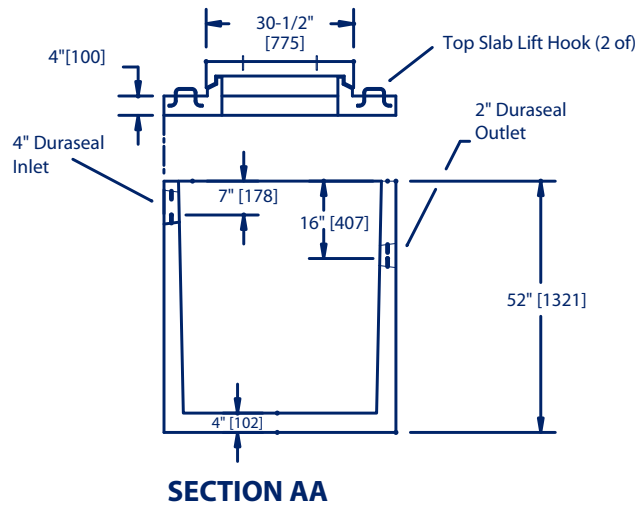
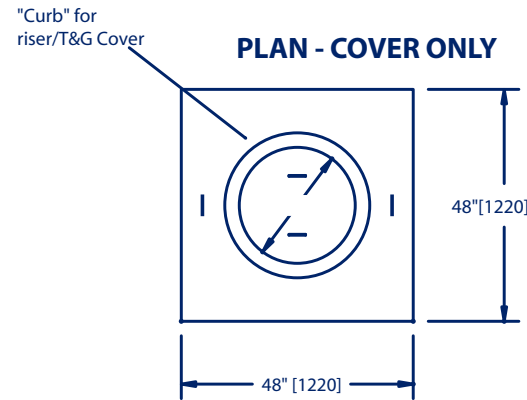
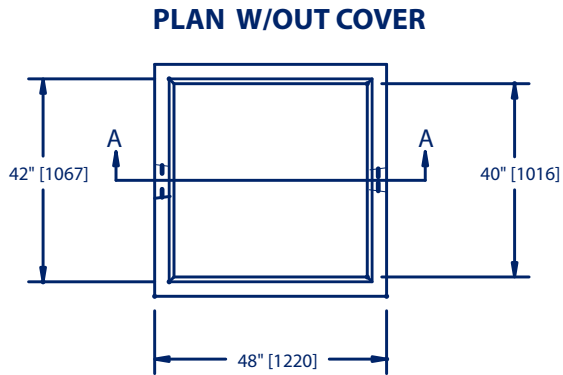
Project:
Location:
Client:
Dwg.No.: 30400

Scale: NTS

Date: July/03
Dwn.By: ALF
Chk.By:
Sheet 1 of 1

► PUMP CHAMBER - 250 Gallon [1130 L] (shown with 24" T&G Cover)

MISCELLANEOUS INFORMATION



- **Description:**
- Pump Chamber 250 Gal - Bot
 - Pump Chamber 250 Gal - Cov
 - Pump Chamber 250 Gal

- **Item #**
- Bottom: 37230
 - Cover: 37240
 - Both: 37250

- **Weight lb/kg**
- Bottom: 3240/1470
 - Cover: 770/350
 - Both: 4010/1820

- **Accessories:**
- Cleanout Riser
 - 24" T&G Cover
 - Cast Frame & Cover

- **Applications:**
- Electrical Pull Box
 - Water/Sewage Valve Cham.
 - Manhole/Catchbasin
 - Sump Pit

- **General Availability:**
- Windsor - Stock
 - Port Hastings - Stock

► **Mailing Address**
RR# 3
Windsor NS B0N 2T0

► **Physical Address**
3901 Route 14
Windsor Forks, Nova Scotia

► **Phone:** 1-902-798-3188

► **Toll Free:** 1-800-565-7000

► **Fax:** 1-902-798-4322

► **Toll Free:** 1-888-767-7001

Specifications:

- Concrete Minimum Strength: 4000 psi [28 MPa] at 28 days
- Air Entraining: 5 - 7%
- Reinforcement: Structural fibers
- Construction Joint: Sealed with butyl rope or equivalent
- Design for earth dead load only.
- Maximum bury - 5' [1500]
- Conforms to CSA B66-M90

Notes:

- Dose Volume - up to 125 Gallons [545 L]
- Dose Volume - 1" Depth = ~6 Gallons [27.5 L]
- "Curb" on top slab cast integrally for watertightness

PUMP CHAMBER
250 Gallon [1130 L]
(shown with 24" T&G Cover)

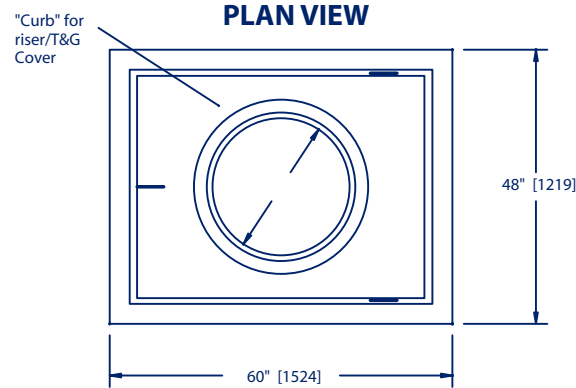
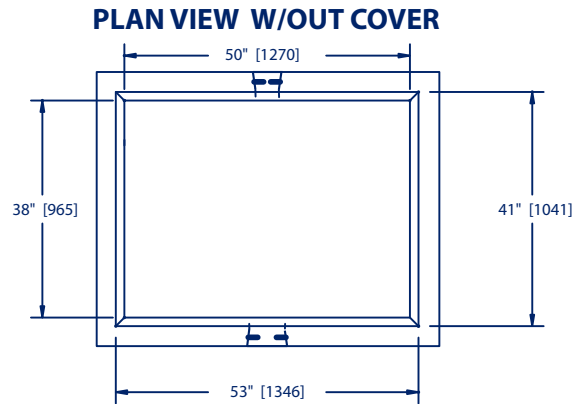
Project:
Location:
Client:
Dwg.No.: 37250

Scale: NTS

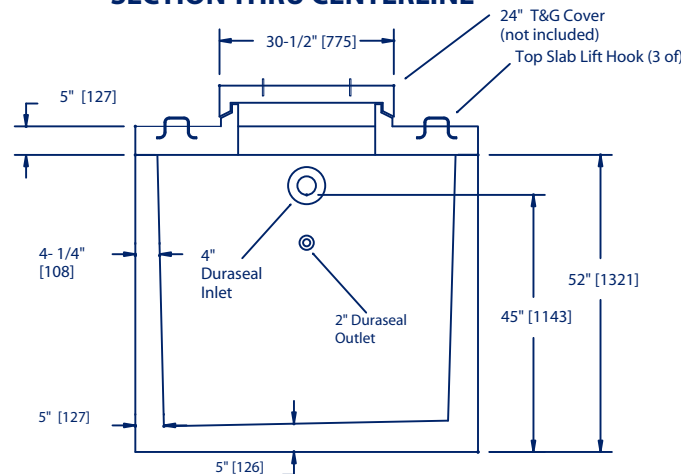
Date: MAY/01
Dwn.By: RG
Chk.By:
Sheet 1 of 1

► PUMP CHAMBER - 350 Gallon [1600 L] (shown with 24" T&G Cover)

MISCELLANEOUS INFORMATION



SECTION THRU CENTERLINE



Specifications:

- Concrete Minimum Strength: 4000 psi [28 MPa] at 28 days
- Air Entraining: 5 - 7%
- Reinforcement: Structural fibers
- Construction Joint: Sealed with butyl rope or equivalent
- Design for earth dead load only.
- Maximum bury - 5' [1500]
- Conforms to CSA B66-M90

Notes:

- Dose Volume - up to 175 Gallons [800 L]
- Dose Volume - 1" of depth = ~7.33 Gallons [33.33 L]
- "Curb" on top slab cast integrally for watertightness

► Description:

- Pump Chamber 350 Gal - Bot
- Pump Chamber 350 Gal - Cov
- Pump Chamber 350 Gallon

► Item

- Bottom: 37330
- Cover: 37340
- Both: 37350

► Weight lb/kg

- Bottom: 4800/2175
- Cover: 1100/500
- Both: 5900/2675

► Accessories:

- Cleanout Riser
- 24" T&G Cover
- Cast Frame & Cover

► Applications:

- Electrical Pull Box
- Water/Sewage Valve Cham.
- Manhole/Catchbasin
- Sump Pit

► General Availability:

- Windsor - Stock
- Port Hastings - Stock

► Mailing Address

RR# 3
Windsor NS B0N 2T0

► Physical Address

3901 Route 14
Windsor Forks, Nova Scotia

► Phone: 1-902-798-3188

► Toll Free: 1-800-565-7000

► Fax: 1-902-798-4322

► Toll Free: 1-888-767-7001

PUMP CHAMBER
350 Gal [1600 L]
(shown with 24" T&G Cover)

Project:
Location:
Client:
Dwg.No.:

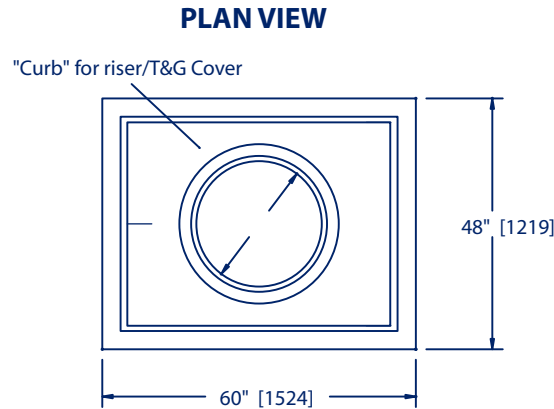
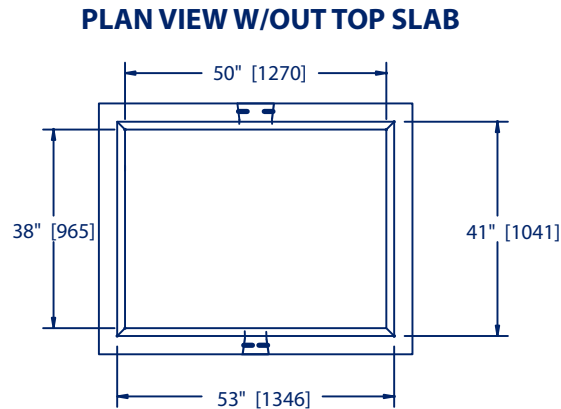
37350

Scale: NTS

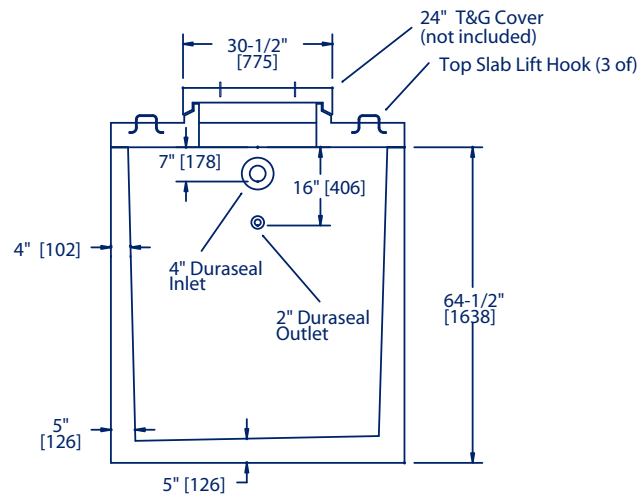
Date: MAY/01
Dwn. By: RG
Chk. By:
Sheet 1 of 1

► PUMP CHAMBER - 450 Gallon [2040 L] (shown with 24" T&G Cover)

MISCELLANEOUS INFORMATION



SECTION THRU CENTERLINE



► Description:

- Pump Chamber 450 Gal - Bot
- Pump Chamber 450 Gal - Cov
- Pump Chamber 450 Gallon

► Item #

- Bottom: 37430
- Cover: 37440
- Both: 37450

► Weight lb/kg

- Bottom: 5940/2700
- Cover: 1100/ 500
- Both: 7040/3200

► Accessories:

- Cleanout Riser
- Cast Frame & Cover
- 24" T&G Cover

► Applications:

- Electrical Pull Box
- Water/Sewage Valve Cham.
- Manhole/Catchbasin
- Sump Pit

► General Availability:

- Windsor
- Stock
- Port Hastings
- Special Order

► Mailing Address

RR# 3
Windsor NS B0N 2T0

► Physical Address

3901 Route 14
Windsor Forks, Nova Scotia

► Phone: 1-902-798-3188

► Toll Free: 1-800-565-7000

► Fax: 1-902-798-4322

► Toll Free: 1-888-767-7001

Specifications:

- Concrete Minimum Strength: 4000 psi [28 MPa] at 28 days
- Air Entraining: 5 - 7%
- Reinforcement: Structural fibers
- Construction Joint: Sealed with butyl rope or equivalent
- Design for earth dead load only.
- Maximum bury - 5' [1500]
- Conforms to CSA B66-M90

Notes:

- Dose Volume - up to 225 Gallons [1020 L]
- Dose Volume - 1" of depth = ~7.33 Gallons [33.33 L]
- "Curb" on top slab cast integrally for watertightness

PUMP CHAMBER
450 Gallon [2040 L]
(shown with 24" T&G Cover)

Project:
Location:
Client:
Dwg.No.:

37450

Scale: NTS

Date: MAY/01
Dwn. By: RG
Chk. By:
Sheet 1 of 1